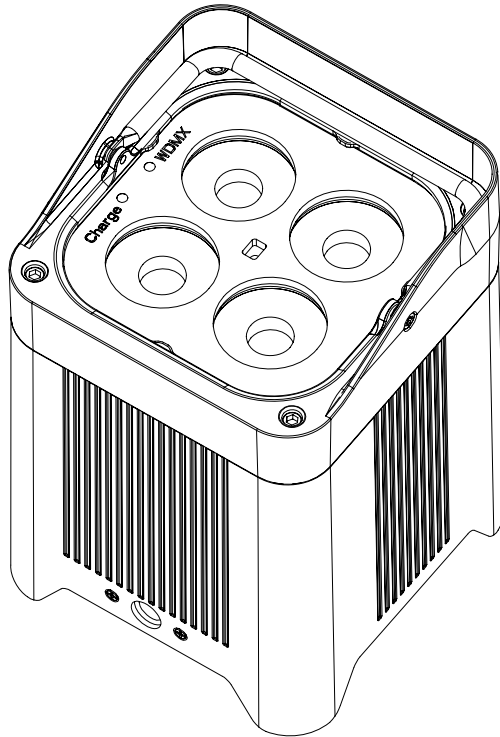


SmartBat **plus**⁺

PORTABLE BATTERY-POWERED
UPLIGHTER



USER MANUAL
MANUALE UTENTE

All rights reserved by Music & Lights S.r.l. No part of this instruction manual may be reproduced in any form or by any means for any commercial use.

In order to improve the quality of products, Music&Lights S.r.l. reserves the right to modify the characteristics stated in this instruction manual at any time and without prior notice.
All revisions and updates are available in the 'manuals' section on site www.musiclights.it

TABLE OF CONTENTS

Safety	
General instructions	2
Warnings and installation precautions	2
	3
1 Introduction	
1.1 Technical drawing	3
1.2 Operating elements and connections	4
2 Installation	
2.1 Mounting	5
3 Functions and settings	
3.1 Operation	5
3.2 Basic setup	5
3.3 Recharge	6
3.4 Menu structure	7
3.5 Auto Show	8
3.6 Static color	8
3.7 Manual color	9
3.8 IR setup	9
3.9 Wireless setting	10
3.10 Dimmer mode	10
3.11 DMX mode	10
3.12 DMX addressing	10
3.13 Key Lock	11
3.14 DMX channels	12
4 Maintenance	13
4.1 Maintenance and cleaning the unit	




WARNING! Before carrying out any operations with the unit, carefully read this instruction manual and keep it with care for future reference. It contains important information about the installation, usage and maintenance of the unit.



SAFETY

General instruction

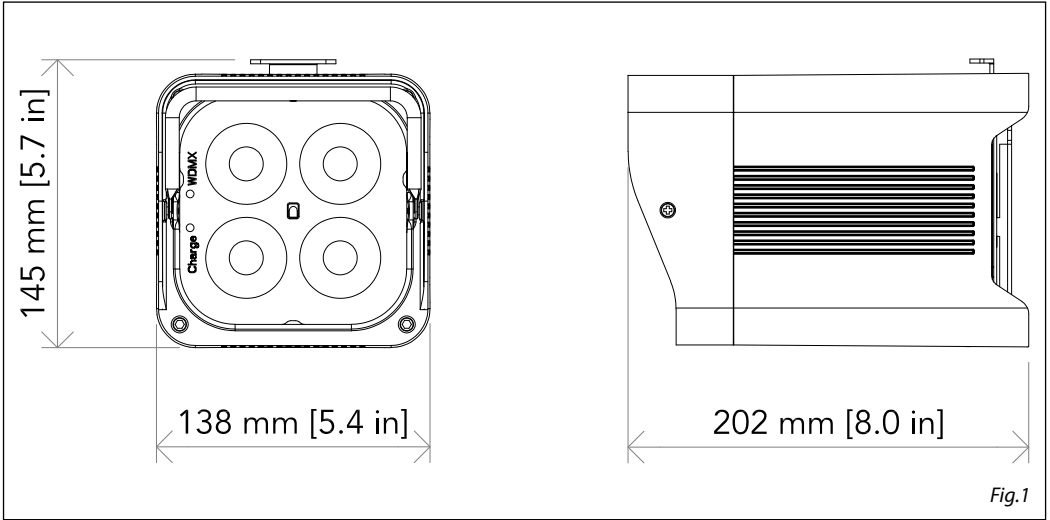
- The products referred to in this manual conform to the European Community Directives and are therefore marked with **CE**.
- Supply voltage of this product is DC24V; never connect directly to AC220V. Leave servicing to skilled personnel only. Never make any modifications on the unit not described in this instruction manual, otherwise you will risk an electric shock.
- Connection of the power adapter must be made to a power supply system fitted with efficient earthing (Class I appliance according to standard EN 60598-1). It is, moreover, recommended to protect the supply lines of the units from indirect contact and/or shorting to earth by using appropriately sized residual current devices.
- The connection to the main network of electric distribution must be carried out by a qualified electrical installer. Check that the voltage correspond to those for which the unit is designed as given on the electrical data label.
- This unit is not for home use, only professional applications.
- Never use the fixture under the following conditions:
 - in places subject to vibrations or bumps;
 - in places subject to excessive humidity.
- Make certain that no inflammable liquids, water or metal objects enter the fixture.
- Do not dismantle or modify the fixture.
- All work must always be carried out by qualified technical personnel. Contact the nearest sales point for an inspection or contact the manufacturer directly.
- If the unit is to be put out of operation definitively, take it to a local recycling  plant for a disposal which is not harmful to the environment.

Warnings and installation precautions

- If this device will be operated in any way different to the one described in this manual, it may suffer damage and the guarantee becomes void. Furthermore, any other operation may lead to dangers like short circuit, burns, electric shock, etc.
- Before starting any maintenance work or cleaning the projector, cut off power from the main supply.
- Always additionally secure the projector with the safety rope. When carrying out any work, always comply scrupulously with all the regulations (particularly regarding safety) currently in force in the country in which the fixture's being used.
- Install the fixture in a well ventilated place.
- Keep any inflammable material at a safe distance from the fixture.
- Shields, lenses or ultraviolet screens shall be changed if they have become damaged to such an extent that their effectiveness is impaired.
- The lamp (LED) shall be changed if it has become damaged or thermally deformed.
- Never look directly at the light beam. Please note that fast changes in lighting, e. g. flashing light, may trigger epileptic seizures in photosensitive persons or persons with epilepsy.
- Do not touch the product's housing when operating because it may be very hot.

- 1 - INTRODUCTION

1.1 TECHNICAL DRAWING



1.2 OPERATING ELEMENTS AND CONNECTIONS

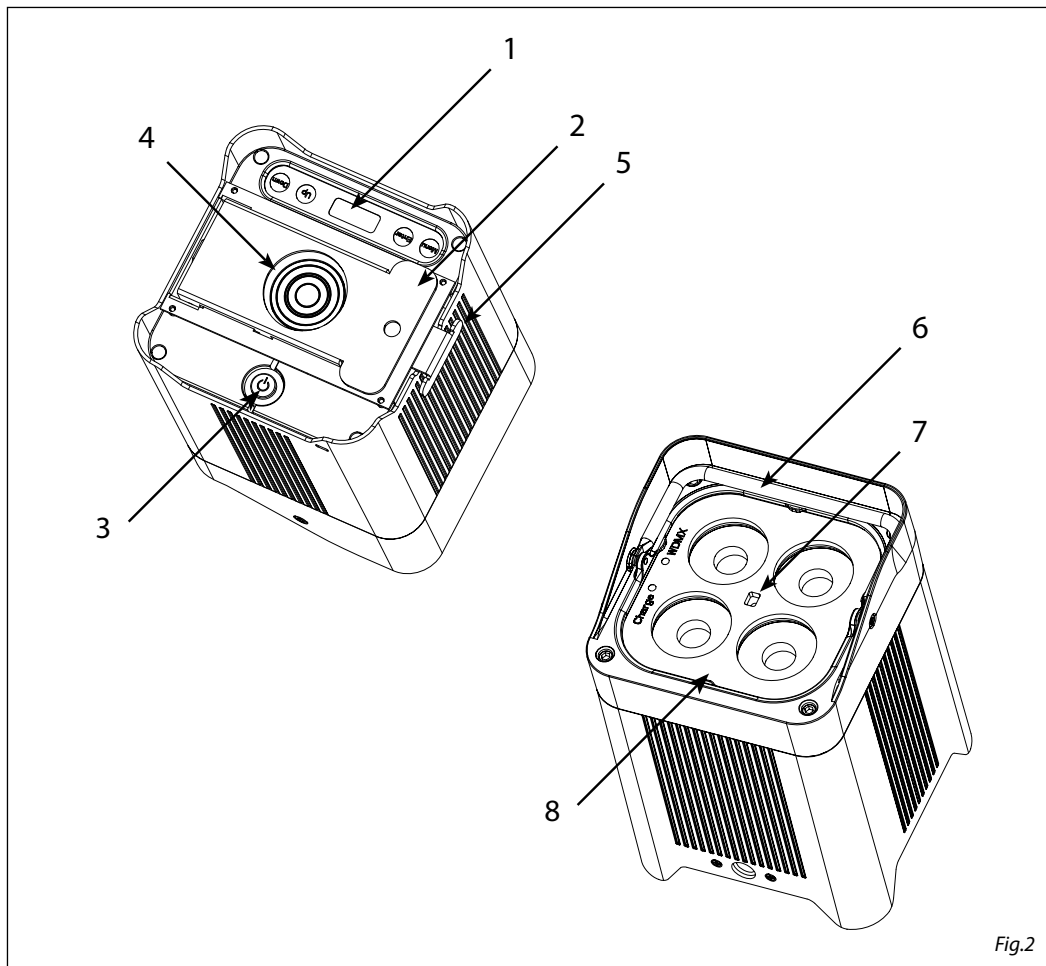


Fig.2

1. CONTROL PANEL with display and 4 button used to access the control panel functions and manage them.
2. Adjustable foot support for tilt regulation (up to 20°).
3. ON/OFF SWITCH.
4. CHARGING CONTACT
5. RELEASE LEVER to adjustable foot support
6. CARRYING HANDLE
7. IR SENSOR
8. Wireless DMX RECEIVER

- 2 - INSTALLATION

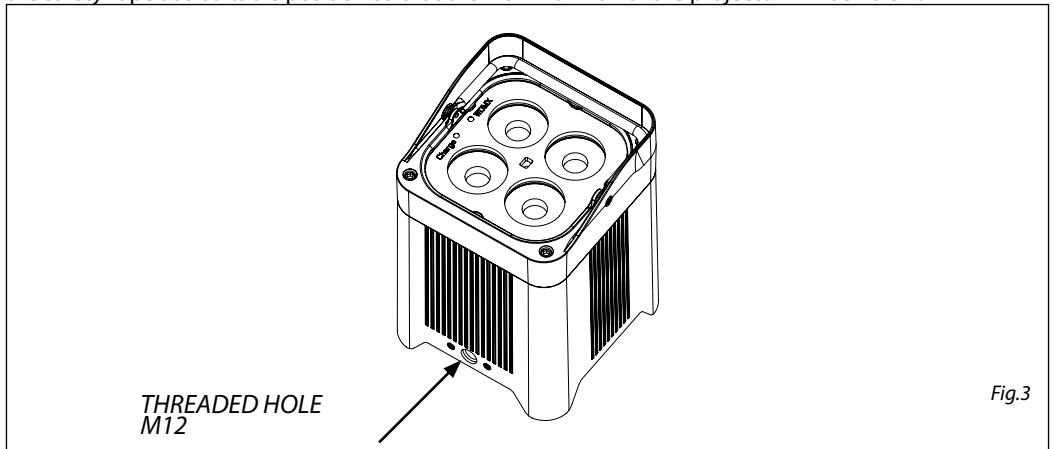
2.1 MOUNTING

SMARTBATPLUS may be set up on a solid and even surface. The unit can also be mounted upside down to a cross arm. For fixing, stable mounting clips are required. The mounting place must be of sufficient stability and be able to support a weight of 10 times of the unit's weight.

When carrying out any installation, always comply scrupulously with all the regulations (particularly regarding safety) currently in force in the country in which the fixture's being used.

IMPORTANT

Always additionally secure the projector with the safety rope from falling down. For this purpose, fasten the safety rope at a suitable position so that the maximum fall of the projector will be 20 cm.



- 3 - FUNCTIONS AND SETTINGS

3.1 OPERATION

Switch on the SMARTBATPLUS with the power switch. The unit is ready for operation and can be operated via a DMX controller or it independently performs its show program in succession.

After operation, switch off the unit with the power switch.

3.2 BASIC SETUP

The SMARTBATPLUS has a OLED display and 4 buttons for access to the functions of the control panel (fig. 5).

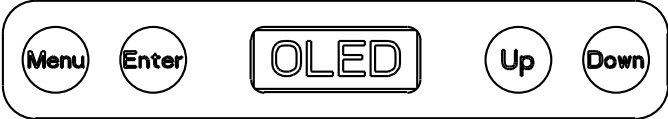
			
MENU	UP	DOWN	ENTER
Used to access the menu or to return a previous menu option	Button to select the values in ascending order of the function	Button to select the values in descending order of the function	Used to select and store the current menu or confirm the current function value or option within a menu

Fig.4 - Functions of the buttons

3.3 RECHARGE

To recharge SMARTBAT:

- connect the unit to the special battery charger through the lower connector
- connect the battery charger to the power supply

NOTE - The charging time are 4 h and autonomy is 12h

Flight-case SMARTBATPLUSPACK (optional)

Flight-case designed to contain 6pcs SMARTBATPLUS with battery charger kit included..

- Internal separated compartments with charger plug for every device
- Case power input: Powercon IN
- Dimensions (LxHxD): 537x540x470 mm

NOTE

Always charge with flight-case open.

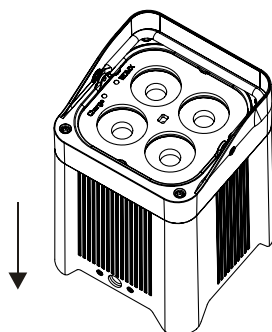
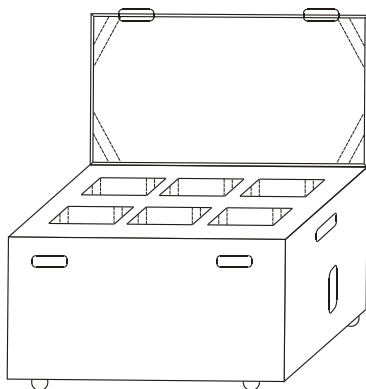


Fig.5

3.4 MENU STRUCTURE

MENU			
1	Autoshow	⇒ Auto 1	⇒ 001 - 100
		Auto 2	⇒ 001 - 100
		Auto 3	⇒ 001 - 100
		Auto 4	⇒ 001 - 100
		Auto 5	⇒ 001 - 100
2	Static	⇒ Static	⇒ R
			G
			B
			W
			GB
			RB
			RG
			RGB
			RW
			GW
			BW
			RGW
			RBW
			GBW
			RGBW
			Manual Color
		G	⇒ 000 - 255
		B	⇒ 000 - 255
		W	⇒ 000 - 255
3	Dimmer Mode	⇒ Off	
		Dimmer 1	
		Dimmer 2	
		Dimmer 3	
4	Back Light	⇒ On	
		10 s	
		20 s	
		30 s	
5	Information	⇒ Fixture Hours	⇒ 9999 H
		Version	⇒ V 1.0

6	DMX Address	⇒	001 - 509
7	DMX Channel	⇒	4 Ch 6 Ch 10 Ch HSV HSI
8	White Balance	⇒	R ⇒ 125 - 255 G ⇒ 125 - 255 B ⇒ 125 - 255
9	Wireless Setting	⇒	Receive On/Off ⇒ On Off Receive Reset ⇒ No Yes
10	IR Setup	⇒	On Off
11	Key Lock	⇒	On Off
12	Factory Reset	⇒	No Yes

3.5 AUTO SHOW

This fixture has a built-in automatic program. To access this, please see the below instructions:

- Press the MENU button so many times until shows **[Autoshow]**.
- Press the ENTER button to confirm.
- Using UP/DOWN button, select one of the programs **[Auto 1 - Auto 5]**.
- Press the ENTER button save the setting.
- Using UP/DOWN button, select the speed value of the show **[S1 - S100]**.
- Press the ENTER button save the setting.

3.6 STATIC COLOR

This fixture has the ability to accept custom static color settings. Access these chases via the control panel on the back of the fixture.

- Press the MENU button so many times until shows **[Static]**.
- Press the ENTER button to confirm.
- Press the MENU button so many times until shows **[Fixed Color]**.
- Press the ENTER button to confirm.
- Using UP/DOWN button, select one of the programs **[R,G,B,W,.....,RGB,.....,RGBW]**.
- Press the ENTER button save the setting.

3.7 MANUAL COLOR

To set the personal balance of the color refer to the following procedure:

- Press the MENU button so many times until the display shows **[Static]**
- Press the ENTER button to confirm.
- Press the MENU button so many times until shows **[Manual Color]**.
- Press the ENTER button to confirm.
- Using UP/DOWN button, select one of the programs **[R,G,B,W]**.
- Press the ENTER button to confirm.
- Using UP/DOWN button, select the wanted value of the program **[000-255]**.
- Press the ENTER button save the setting and to pass to the successive color.
- Continue until obtain the wanted color mix

3.8 IR SETUP

To start up the IR receiver refer to the following steps:

- Press the MENU button so many times until the display shows **[IR Setup]**.
- Press the ENTER button to confirm.
- Press the UP/DOWN button, select one of the programs **[ON]** or **[OFF]**.
- Press the ENTER button for save the setting.
- To use the remote control it is necessary to set the fixture in Static or Auto Mode.

NOTE - Make sure to point the controller directly at the receiver on the product.

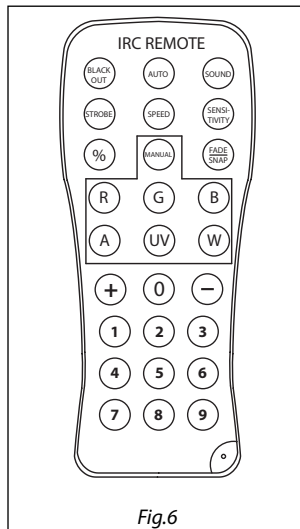


Fig.6

3.9 WIRELESS SETTING

- To set the wireless mode refer to the following guide:
- Press the MODE button until the display shows Wireless Setting, then press the ENTER button.
- Use the UP/DOWN button until the display reads Wireless Receive, and then press the ENTER button and select the ON mode.
- Press the MODE button to go back or to meet the waiting time to exit the setup menu. NOTE - After you complete these steps, you have to synchronize with any wifi unit with which you want to communicate by pressing the sync button present on the same. Then connect any DMX console to wifi
- unit for to open the communication with the SMARTBATPLUS unit.
- To reset the unit press the MODE button until the display shows Wireless Reset, then press the ENTER-button.
- Use the UP/DOWN button until the display reads Yes, and then press the ENTER button.
- Press the MODE button to go back or to meet the waiting time to exit the setup menu.

3.10 DIMMER MODE

- Enter in Dimmer mode to select specific dimming curve, press the MENU button so many times until shows **[DIMMER MODE]**, and press the ENTER button to confirm.
- Press the button UP/DOWN to select **[Off - Dimer 1 - Dimmer 2 - Dimmer 3]**.
- Press ENTER button to store.
- Press the MENU button to go back or to meet the waiting time to exit the setup menu.

3.11 DMX MODE

- Press the MENU button so many times until shows, **[DMX Channel]** and press the ENTER button to confirm.
- Press the UP/DOWN button to select the desired DMX mode **[4Ch], [6Ch], [10Ch], [HSV], [HSI]** and press the ENTER button to for save the setting.
- The tables on page 14 indicate the operating mode and DMX value.

3.12 DMX ADDRESSING

To be able to operate the SMARTBATPLUS with a light controller, set the unit DMX start address for the first DMX channel. To set the start address refer to following procedure:

- Use the UP/DOWN button until the display reads **[DMX Address]** and then press the ENTER button to confirm
- Press the UP/DOWN button to select the value **[d 1-509]** and then press the ENTER button .

If e. g. address 33 on the controller is provided for controlling the function of the first DMX channel, adjust the start address 33 on the SMARTBAT.

The other functions of the light effect panel are then automatically assigned to the following addresses. An example with the start address 33 is shown in the page 13.

3.13 KEY LOCK

Enter the **Key Lock** mode to select whether the access password is on or off.

- Press the button **MODE** so many times until show **Key Lock** and press the button **ENTER** to confirm.
- Use **UP/DOWN** button to select: **ON** or **OFF**.
- Press **ENTER** button to confirm the selection.

When the fixture is set as pass **ON**, after 30 seconds or turn on the fixture next time, the fixture will need an access password to enter the display menu control.

NOTE - The factory access password is **UP + DOWN + UP + DOWN** (press **ENTER** to confirm the access)

DMX Channels number	Start address (example)	Busy DMX address	Next possible start address for unit n°1	Next possible start address for unit n°2	Next possible start address for unit n°3
4	33	33-36	37	41	45

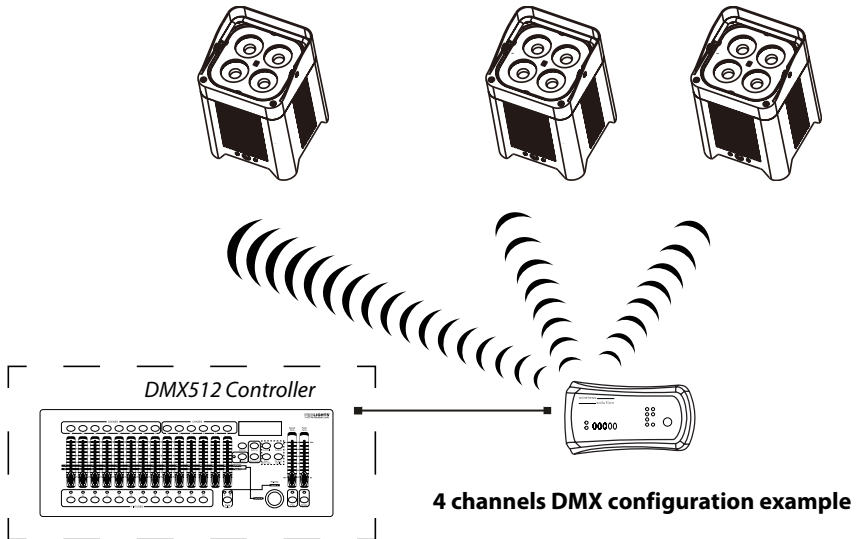


Fig.7

3.14 DMX CHANNELS

MODE 10 Ch	FUNCTION	DMX Value
1	DIMMER 0~100%	000 - 255
2	RED 0~100%	000 - 255
3	GREEN 0~100%	000 - 255
4	BLUE 0~100%	000 - 255
5	WHITE 0~100%	000 - 255
6	STROBE No Function Strobe slow to fast	000 - 010 011 - 255
7	COLOR PRESET + WHITE BALANCE No Function R 100% G 0~100% B 0 R 100%~0 G 100% B 0 R 0 G 100% B 0~100% R 0 G 100%~0 B 100% R 0~100% G 0 B 100% R 100% G 0 B 100%~0 R 100% G 0~100% B 0~100% R 100%~0 G 100%~0 B 100% R 100% G 100% B 100% W 100% White Balance 1 White Balance 2 White Balance 3 White Balance 4 White Balance 5 White Balance 6 White Balance 7 White Balance 8 White Balance 9 White Balance 10 White Balance 11	000-010 011-030 031-050 051-070 071-090 091-110 111-130 131-150 151-170 171-200 201-205 206-210 211-215 216-220 221-225 226-230 231-235 236-240 241-245 246-250 251-255
8	AUTO/SOUND PROGRAMS No Function Auto Program 1 Auto Program 2 Auto Program 3 Auto Program 4	000-051 052-101 102-152 153-203 204-254

MODE 10 Ch	FUNCTION	DMX Value
8	Auto Program 5	255
9	AUTO SPEED Speed slow to fast	000 - 255
10	DIMMER CURVE Preset dimmer speed from display menu Dimmer speed mode off Dimmer speed mode1 (fast speed) Dimmer speed mode2 (middle speed) Dimmer speed mode3 (slow speed)	000-051 052-101 102-152 153-203 204-255

MODE 4 Ch	FUNCTION	DMX Value
1	RED 0~100%	000 - 255
2	GREEN 0~100%	000 - 255
3	BLUE 0~100%	000 - 255
4	WHITE 0~100%	000 - 255

MODE 6 Ch	FUNCTION	DMX Value
1	MASTER DIMMER 0~100%	000 - 255
2	RED 0~100%	000 - 255
3	GREEN 0~100%	000 - 255
4	BLUE 0~100%	000 - 255
5	WHITE 0~100%	000 - 255
6	STROBE No Function Strobe slow to fast	000 - 010 011 - 255

MODE HSV	FUNCTION	DMX Value
1	HUE 0~100%	000 - 255
2	SATURATION 0~100%	000 - 255
3	BRIGHTNESS VALUE 0~100%	000 - 255

MODE HSI	FUNCTION	DMX Value
1	HUE 0~100%	000 - 255
2	SATURATION 0~100%	000 - 255
3	INTENSITY 0~100%	000 - 255

- 4 - MAINTENANCE

4.1 MAINTENANCE AND CLEANING THE UNIT

- Make sure the area below the installation place is free from unwanted persons during setup.
- Switch off the unit, unplug the main cable and wait until the unit has cooled down.
- All screws used for installing the device and any of its parts should be tightly fastened and should not be corroded.
- Housings, fixations and installation spots (ceiling, trusses, suspensions) should be totally free from any deformation.
- The main cables must be in impeccable condition and should be replaced immediately even when a small problem is detected.
- It is recommended to clean the front at regular intervals, from impurities caused by dust, smoke, or other particles to ensure that the light is radiated at maximum brightness. For cleaning, disconnect the main plug from the socket. Use a soft, clean cloth moistened with a mild detergent. Then carefully wipe the part dry. For cleaning other housing parts use only a soft, clean cloth. Never use a liquid, it might penetrate the unit and cause damage to it.

Battery Guide

New Lithium Battery Initialisation

Any new fixture containing a Lithium battery should be initialised when first purchased to maximise its battery life.

To do this:

1. Fully charge the unit for a minimum of 5 to 6 hours.
 2. Fully discharge, then fully recharge the battery.
 3. Repeat this cycle another 2 times for optimum battery life.
-

Maximizing Battery Performance

1. Lithium batteries perform best when in regular use. Long idle periods will reduce the battery life.
 2. Recharge the battery at the earliest opportunity, leaving batteries discharged for long periods will reduce battery life.
 3. Store units containing Lithium batteries at cool temperatures. High ambient temperatures significantly reduce the life of a Lithium battery.
 4. Disconnect power from the unit when charging is complete.
 5. Do not use fixtures whilst charging.
-

Long term storage

1. Charge your fixture's battery to around 50%. If you store a fixture with a fully discharged battery, it could fall into a deep discharge state. If you store it fully charged, the battery may lose some capacity, leading to shorter battery life.
2. Power down the device to avoid additional battery use.
3. Place your device in a cool, moisture-free environment that's less than 32° C (90° F).

Music & Lights S.r.l. si riserva ogni diritto di elaborazione in qualsiasi forma delle presenti istruzioni per l'uso.
La riproduzione - anche parziale - per propri scopi commerciali è vietata.

Al fine di migliorare la qualità dei prodotti, la Music&Lights S.r.l. si riserva la facoltà di modificare, in qualunque momento e senza preavviso, le specifiche menzionate nel presente manuale di istruzioni. Tutte le revisioni e gli aggiornamenti sono disponibili nella sezione 'Manuali' sul sito www.musiclights.it

INDICE	Sicurezza	
	Avvertenze generali	4
	Attenzioni e precauzioni per l'installazione	4
	1 Introduzione	
	1.1 Disegno Tecnico	5
	1.2 Elementi di comando e di collegamento	6
	2 Installazione	
	2.1 Montaggio	7
	3 Funzioni e impostazioni	
	3.1 Funzionamento	7
	3.2 Impostazione base	7
	3.3 Processo di ricarica	8
	3.4 Struttura menu	9
	3.5 Auto Show	10
	3.6 Static color	10
	3.7 Manual color	11
	3.8 Impostazioni IR	11
	3.9 Impostazioni Wireless	12
	3.10 Funzione dimmer	12
	3.11 Modalità DMX	12
	3.12 Indirizzamento DMX	12
	3.13 Key Lock	13
	3.14 Canali DMX	14
	4 Manutenzione	
	4.1 Manutenzione e pulizia del sistema ottico	15




ATTENZIONE! Prima di effettuare qualsiasi operazione con l'unità, leggere con attenzione questo manuale e conservarlo accuratamente per riferimenti futuri. Contiene informazioni importanti riguardo l'installazione, l'uso e la manutenzione dell'unità.



SICUREZZA

Avvertenze generali

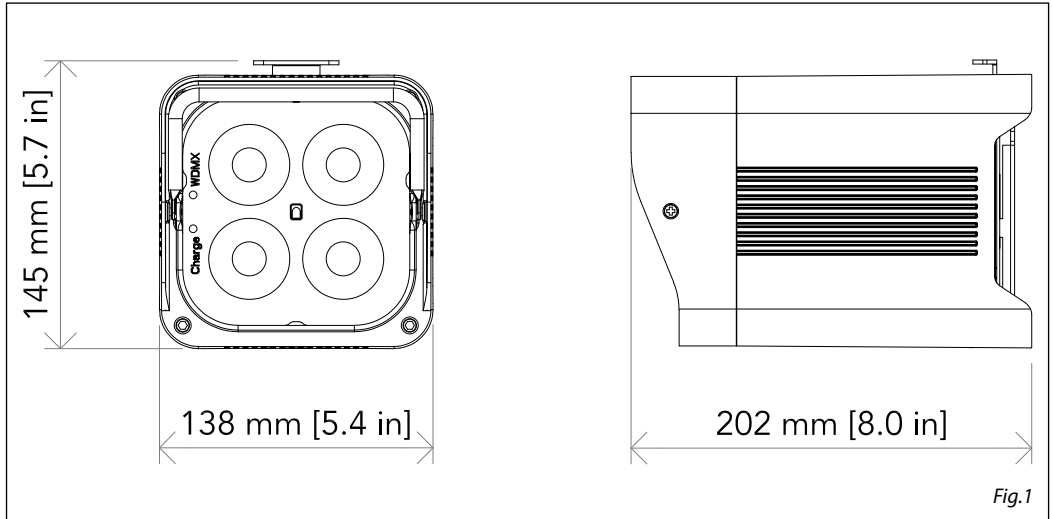
- I prodotti a cui questo manuale si riferisce sono conformi alle Direttive della Comunità Europea e pertanto recano la sigla **CE**.
- Il dispositivo funziona con pericolosa tensione di rete 230V~. Non intervenire mai al suo interno al di fuori delle operazioni descritte nel presente manuale; esiste il pericolo di una scarica elettrica.
- È obbligatorio effettuare il collegamento ad un impianto di alimentazione dotato di un'efficiente messa a terra (apparecchio di Classe I secondo norma EN 60598-1). Si raccomanda, inoltre, di proteggere le linee di alimentazione delle unità dai contatti indiretti e/o cortocircuiti verso massa tramite l'uso di interruttori differenziali opportunamente dimensionati.
- Le operazioni di collegamento alla rete di distribuzione dell'energia elettrica devono essere effettuate da un installatore elettrico qualificato. Verificare che frequenza e tensione della rete corrispondono alla frequenza ed alla tensione per cui l'unità è predisposta, indicate sulla targhetta dei dati elettrici.
- L'unità non per uso domestico, solo per uso professionale.
- Evitare di utilizzare l'unità:
 - in luoghi soggetti a vibrazioni, o a possibili urti;
 - in luoghi soggetti ad eccessiva umidità.
- Evitare che nell'unità penetrino liquidi infiammabili, acqua o oggetti metallici.
- Non smontare e non apportare modifiche all'unità.
- Tutti gli interventi devono essere sempre e solo effettuati da personale tecnico qualificato. Rivolgersi al più vicino centro di assistenza tecnica autorizzato.
- Se si desidera eliminare il dispositivo definitivamente, consegnarlo  per lo smaltimento ad un'istituzione locale per il riciclaggio.

Attenzioni e precauzioni per l'installazione

- Se il dispositivo dovesse trovarsi ad operare in condizioni differenti da quelle descritte nel presente manuale, potrebbero verificarsi dei danni; in tal caso la garanzia verrebbe a decadere. Inoltre, ogni altra operazione potrebbe provocare cortocircuiti, incendi, scosse elettriche, rotture etc.
- Prima di iniziare qualsiasi operazione di manutenzione o pulizia sull'unità togliere la tensione dalla rete di alimentazione.
- È assolutamente necessario proteggere l'unità per mezzo di una fune di sicurezza. Nell'eseguire qualsiasi intervento attenersi scrupolosamente a tutte le normative (in materia di sicurezza) vigenti nel paese di utilizzo.
- Installare l'unità in un luogo ben ventilato.
- Mantenere i materiali infiammabili ad una distanza di sicurezza dall'unità.
- I filtri, le lenti o gli schermi ultravioletti se danneggiati possono limitare la loro efficienza.
- I LED devono essere sostituiti se danneggiati o termicamente deformati.
- Non guardare direttamente il fascio luminoso. Tenete presente che i veloci cambi di luce possono provocare attacchi d'epilessia presso persone fotosensibili o epilettiche.
- Non toccare l'alloggiamento del prodotto quando è in funzione perché potrebbe essere molto caldo.

- 1 - INTRODUZIONE

1.1 DISEGNO TECNICO



1.2 ELEMENTI DI COMANDO E COLLEGAMENTI

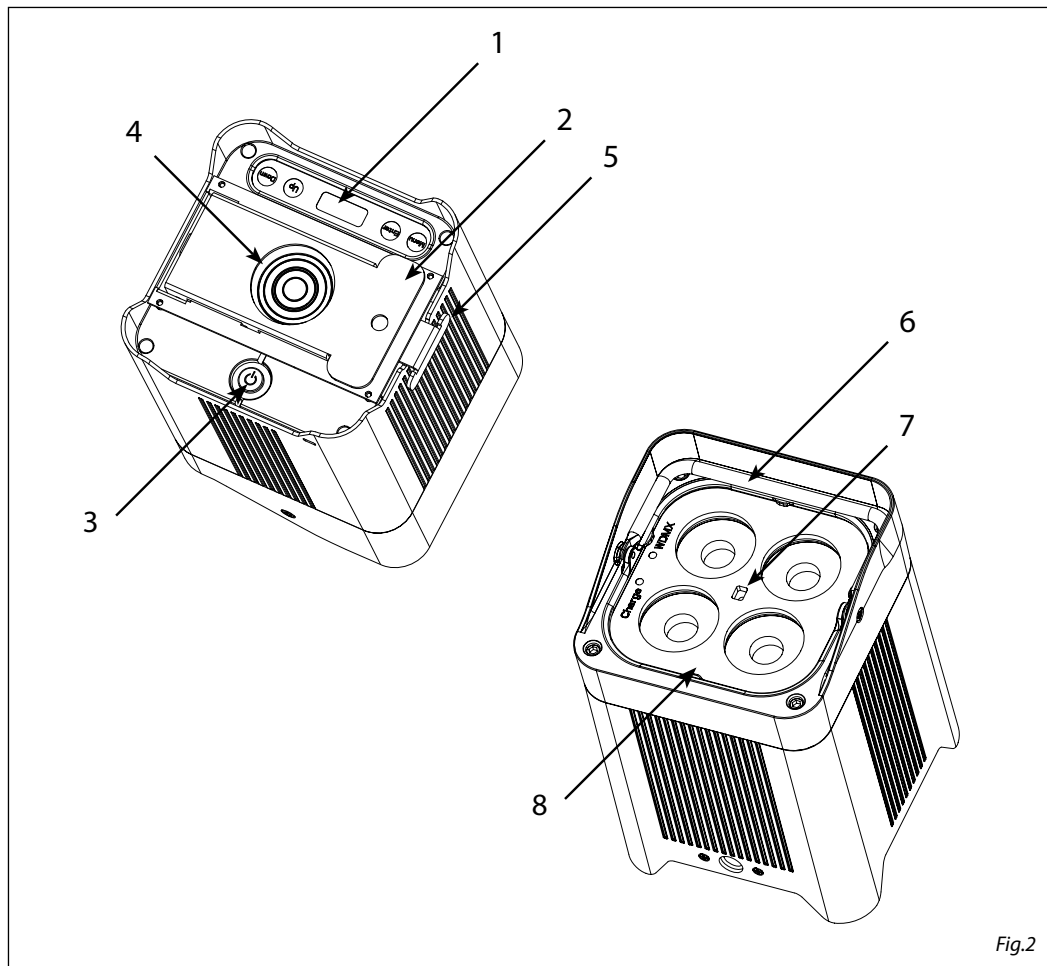


Fig.2

1. PANNELLO DI CONTROLLO con display OLED e 4 pulsanti per accesso e gestione delle diverse funzioni.
2. Piede estraibile per inclinazione tilt (fino a 20°).
3. Interruttore ON/OFF.
4. CONNETTORE per ricarica batteria
5. LEVETTA di rilascio piede estraibile
6. MANIGLIA per trasporto
7. SENSORE infrarossi
8. RICEVITORE Wireless DMX

- 2 - INSTALLAZIONE

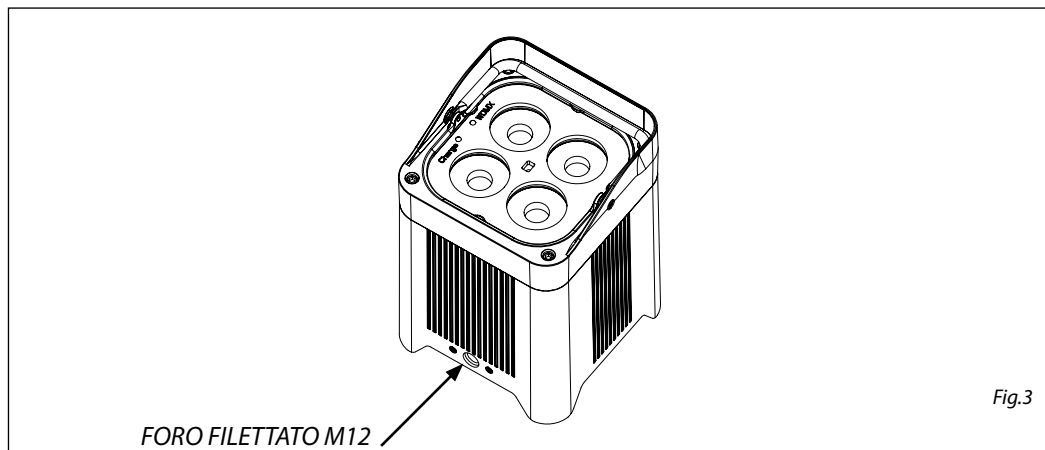
2.1 MONTAGGIO

Lo SMARTBATPLUS può essere collocato su un piano solido. Inoltre, grazie alla possibilità di fissaggio mediante il foro filettato presente sul cabinet (fig.4), l'unità può essere montata anche a testa in giù, su una traversa. Per il fissaggio occorrono dei supporti robusti per il montaggio. L'area di collocazione deve avere una stabilità sufficiente e supportare almeno 10 volte il peso dell'unità.

Inoltre assicurarsi di rispettare tutte le avvertenze in materia di sicurezza.

IMPORTANTE

È assolutamente necessario assicurare il proiettore contro la caduta utilizzando un cavo di sicurezza: in particolare collegare il cavo in un punto adatto in modo che la caduta del proiettore non possa superare i 20 cm.



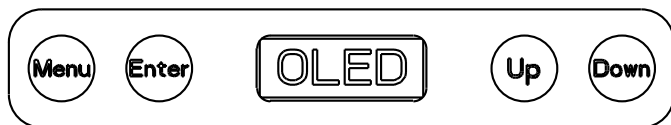
- 3 - FUNZIONI E IMPOSTAZIONI

3.1 FUNZIONAMENTO

Per accendere lo SMARTBATPLUS premere l'interruttore ON/OFF. L'unità può essere comandata da un'unità DMX di comando luce oppure svolgere autonomamente il suo programma. Dopo l'uso spegnere l'unità attraverso il medesimo interruttore.

3.2 IMPOSTAZIONE BASE

Lo SMARTBATPLUS dispone di un display OLED e 4 pulsanti per accesso alle funzioni del pannello di controllo (fig.5).



MENU	UP	DOWN	ENTER
Per scorrere il menu principale o tornare ad una opzione del menu precedente	Per scorrere attraverso le diverse funzioni in ordine discendente o aumentare il valore della funzione stessa	Per scorrere attraverso le diverse funzioni in ordine ascendente o diminuire il valore della funzione stessa	Per entrare nel menu selezionato o confermare il valore attuale della funzione o l'opzione all'interno di un menu

Fig.4 - Funzione dei tasti

3.3 PROCESSO DI RICARICA

Per ricaricare lo SMARTBATPLUS:

- connettere l'unità all'apposito caricabatterie mediante l'ingresso presente nella parte inferiore dell'unità
- collegare il caricabatterie ad una presa elettrica per avviare la carica della batteria

NOTA - Autonomia batteria: 12 ore con funzionamento in cambio colore e di 8 ore in full-output, tempo di ricarica: max 4 ore

Flight-case SMARTBATPLUSPACK (opzionale)

Flight-case per contenere 6pz SMARTBATPLUS con ricarica-batterie incluso.

- Scomparti interni con spine di alimentazione per ogni singola proiettore
- Ingresso alimentazione case: Powercon IN
- Dimensioni (LxAxP): 537x540x470

NOTA

Ricaricare sempre con flight-case aperto.

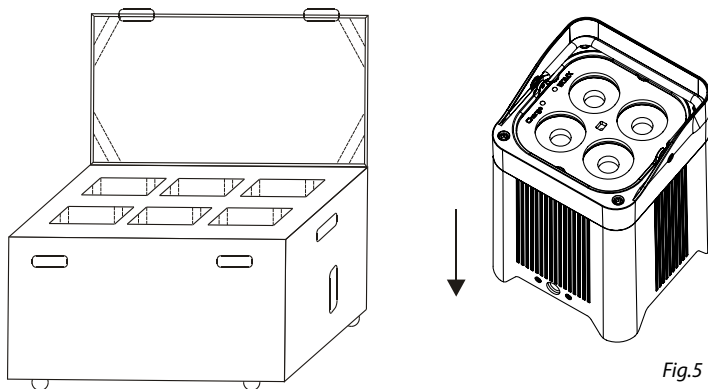


Fig.5

3.4 STRUTTURA MENU

MENU				
1	Autoshow	⇒ Auto 1	⇒ 001 - 100	
		Auto 2	⇒ 001 - 100	
		Auto 3	⇒ 001 - 100	
		Auto 4	⇒ 001 - 100	
		Auto 5	⇒ 001 - 100	
		2	Static	⇒ Fixed Color
	G			
	B			
	W			
	GB			
	RB			
	RG			
	RGB			
	RW			
	GW			
	BW			
	RGW			
	RBW			
	GBW			
	RGBW			
	Manual Color	⇒ R		⇒ 000 - 255
		G		⇒ 000 - 255
		B		⇒ 000 - 255
		W		⇒ 000 - 255
3	Dimmer Mode	⇒ Off		
		Dimmer 1		
		Dimmer 2		
		Dimmer 3		
		4	Back Light	⇒ On
	10 s			
	20 s			
	30 s			
5	Information	⇒ Fixture Hours		⇒ 9999 H
		Version	⇒ V 1.0	

6	DMX Address	⇒	001 - 509
7	DMX Channel	⇒	4 Ch 6 Ch 10 Ch HSV HSI
8	White Balance	⇒	R ⇒ 125 - 255 G ⇒ 125 - 255 B ⇒ 125 - 255
9	Wireless Setting	⇒	Receive On/Off ⇒ On Off Receive Reset ⇒ No Yes
10	IR Setup	⇒	On Off
11	Key Lock	⇒	On Off
12	Factory Reset	⇒	No Yes

3.5 AUTOSHOW

Per entrare nella modalità automatica e permettere all'unità di svolgere il suo programma Show autonomamente:

- Premere il tasto MENU fino a quando sul display non appare **[Autoshow]**.
- Premere il tasto ENTER per confermare la scelta.
- Usare i tasti UP/DOWN per selezionare il programma **[Auto 1 - Auto 5]**.
- Premere il tasto ENTER per confermare la scelta.
- Usare i tasti UP/DOWN per selezionare il valore della velocità dello show **[S1 - S100]**
- Premere il tasto ENTER per salvare l'impostazione.

3.6 STATIC COLOR

L'unità dispone di preset colori pre-programmati che possono essere impostati attraverso la seguente procedura:

- Premere il tasto MENU fino a quando sul display non appare **[Static]**.
- Premere il tasto ENTER per confermare la scelta.
- Utilizzare i tasti UP/DOWN per selezionare **[Fixed Color]**.
- Premere il tasto ENTER per salvare l'impostazione.
- Utilizzare i tasti UP/DOWN per selezionare il programma desiderato **[R,G,B,W,.....,RGB,.....,RGBW]**.
- Premere il tasto ENTER per salvare l'impostazione.

3.7 MANUAL COLOR

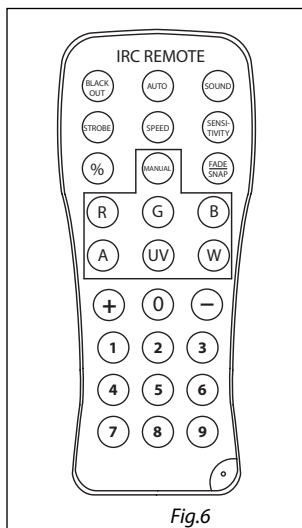
Per impostare il bilanciamento personalizzato dei colori far riferimento alla seguente procedura:

- Premere il tasto MENU fino a quando sul display non appare **[Static]**.
- Premere il tasto ENTER per confermare.
- Utilizzare i tasti UP/DOWN per selezionare **[Manual Color]**.
- Premere il tasto ENTER per confermare.
- Selezionare il colore rosso, verde, blue, bianco (**r, g, b, w**) attraverso il tasto ENTER.
- Utilizzare i tasti UP/DOWN per impostare il valore desiderato **[000 - 255]**.
- Premere il tasto ENTER per confermare e passare al successivo colore.
- Continuare fino ad ottenere la miscelazione del colore.

3.8 IMPOSTAZIONI IR

Per l'accensione del ricevitore ad infrarossi far riferimento alla seguente procedura:

- Premere il tasto MENU fino a quando sul display non appare **[IR Setup]**.
 - Premere il tasto ENTER per confermare la scelta.
 - Usare i tasti UP/DOWN per selezionare il valore **[ON]** oppure **[OFF]**.
 - Premere il tasto ENTER per salvare l'impostazione.
 - Per utilizzare il telecomando è necessario impostare il faro in Static o Auto Mode.
- NOTA - Assicurarsi di puntare il telecomando direttamente verso il ricevitore dell'unità.



3.9 IMPOSTAZIONI WIRELESS

- Per entrare nella modalità impostazione wireless premere il tasto MODE fino a quando sul display non appare Wireless Setting, quindi premere il tasto ENTER.
- Selezionare la funzione Wireless Receive attraverso i tasti UP/DOWN, quindi premere il tasto ENTER.
- Per attivare la modalità di ricezione wireless utilizzare i tasti UP/DOWN e selezionare l'opzione On.
- Premere il tasto ENTER per confermare la scelta.
- Premere il tasto MODE per tornare indietro o attendere alcuni secondi per uscire dal menu di impostazione.

NOTA - Una volta eseguiti questi passi, bisogna effettuare la sincronizzazione con l'eventuale unità wifi con la quale si vuole comunicare premendo il pulsante di sincronizzazione presente sulla stessa. A questo punto collegare l'eventuale console DMX all'unità wifi per aprire la comunicazione con lo SMARTBATPLUS.

- Per effettuare il reset dell'unità selezionare invece la funzione Wireless Reset attraverso i tasti UP/DOWN,
- quindi premere il tasto ENTER.
- Per eseguire l'operazione utilizzare i tasti UP/DOWN e selezionare l'opzione Yes.
- Premere il tasto ENTER per confermare la scelta.
- Premere il tasto MODE per tornare indietro o attendere alcuni secondi per uscire dal menu di impostazione.

3.10 FUNZIONE DIMMER

- Per entrare nella modalità dimmer e scegliere e simulare diverse curve dimming, premere il tasto MENU ripetutamente fino a quando sul display non compare **[DIMMER MODE]**, quindi premere il tasto ENTER.
- Premere il tasto UP/DOWN per selezionare **[Off - Dimmer 1 - Dimmer 2 - Dimmer 3]**.
- Premere il tasto ENTER per confermare la scelta.
- Premere il tasto MENU per tornare indietro o attendere alcuni secondi per uscire dal menu di impostazione.

3.11 MODALITÀ DMX

- Per poter entrare nella modalità DMX, premere il tasto MENU fino a quando sul display non appare **[DMX Channel]** quindi premere ENTER per confermare.
- Utilizzare i tasti UP/DOWN per impostare la modalità desiderata **[4Ch], [6Ch], [10Ch], [HSV], [HSI]** quindi premere ENTER per confermare.

Le tabelle a pagina 16 indicano le modalità di funzionamento e i relativi valori DMX.

3.12 INDIRIZZAMENTO DMX

Per poter comandare lo SMARTBAT con una console DMX, occorre impostare l'indirizzo di start DMX per il primo canale DMX. Per impostare l'indirizzo di start far riferimento alla seguente procedura:

- Premere il tasto MENU fino a quando sul display non appare **[DMX Address]** quindi premere ENTER per confermare.
- Usare i tasti UP/DOWN per selezionare il valore **[d 1-509]** quindi premere ENTER per confermare.

Se, per esempio, sull'unità di comando è previsto l'indirizzo 33 per comandare la funzione del primo canale DMX, si deve impostare sullo SMARTBAT l'indirizzo di start 33. Le altre funzioni del pannello saranno assegnate automaticamente agli indirizzi successivi. A pagina seguente un esempio con indirizzo 33 di start:

3.13 KEY LOCK

Per attivare/disattivare la password di accesso:

Premere il tasto MODE fino a quando sul display non appare **Key Lock**, quindi premere il tasto ENTER.

- Selezionare ON oppure OFF a seconda che si voglia, rispettivamente, attivare o disattivare la password di accesso.
- Premere il tasto ENTER per confermare la scelta.
- Premere il tasto MODE per tornare indietro o attendere alcuni secondi per uscire dal menu di impostazione.

NOTA - Quando l'unità è impostata su ON, dopo poco tempo oppure al successivo riavvio bisognerà immettere la password per l'accesso al menu di controllo.

Le impostazioni di fabbrica relative alla password di accesso corrispondono alla combinazione dei tasti **UP+DOWN+UP+DOWN** (premere ENTER per confermare).

Numero canali DMX	Indirizzo di start (esempio)	Indirizzo DMX occupati	Prossimo indirizzo di start possibile per unità n°1	Prossimo indirizzo di start possibile per unità n°2	Prossimo indirizzo di start possibile per unità n°3
4	33	33-36	37	41	45

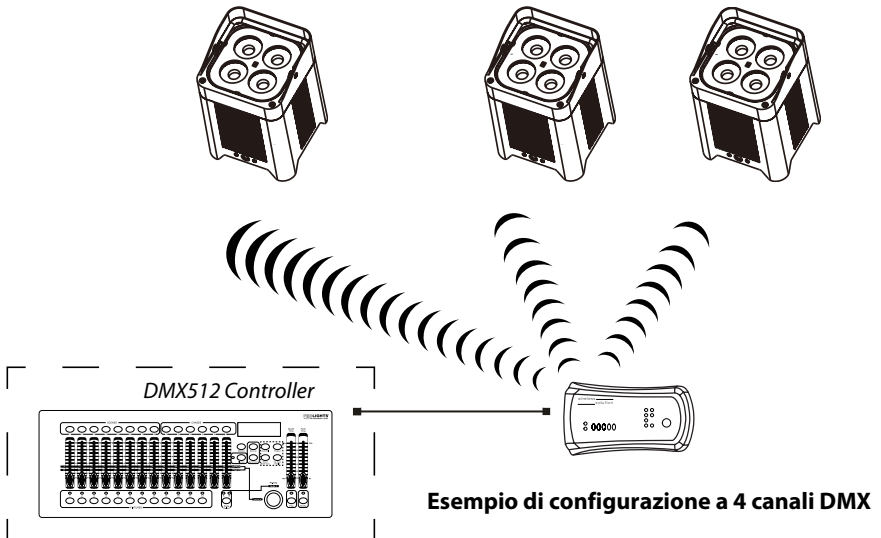


Fig.7

3.14 CANALI DMX

MODE 10 Ch	FUNCTION	DMX Value
1	DIMMER 0~100%	000 - 255
2	RED 0~100%	000 - 255
3	GREEN 0~100%	000 - 255
4	BLUE 0~100%	000 - 255
5	WHITE 0~100%	000 - 255
6	STROBE No Function Strobe slow to fast	000 - 010 011 - 255
7	COLOR PRESET + WHITE BALANCE No Function R 100% G 0~100% B 0 R 100%~0 G 100% B 0 R 0 G 100% B 0~100% R 0 G 100%~0 B 100% R 0~100% G 0 B 100% R 100% G 0 B 100%~0 R 100% G 0~100% B 0~100% R 100%~0 G 100%~0 B 100% R 100% G 100% B 100% W 100% White Balance 1 White Balance 2 White Balance 3 White Balance 4 White Balance 5 White Balance 6 White Balance 7 White Balance 8 White Balance 9 White Balance 10 White Balance 11	000-010 011-030 031-050 051-070 071-090 091-110 111-130 131-150 151-170 171-200 201-205 206-210 211-215 216-220 221-225 226-230 231-235 236-240 241-245 246-250 251-255
8	AUTO/SOUND PROGRAMS No Function Auto Program 1 Auto Program 2 Auto Program 3 Auto Program 4	000-051 052-101 102-152 153-203 204-254

MODE 10 Ch	FUNCTION	DMX Value
8	Auto Program 5	255
9	AUTO SPEED Speed slow to fast	000 - 255
10	DIMMER CURVE Preset dimmer speed from display menu Dimmer speed mode off Dimmer speed mode1 (fast speed) Dimmer speed mode2 (middle speed) Dimmer speed mode3 (slow speed)	000-051 052-101 102-152 153-203 204-255

MODE 4 Ch	FUNCTION	DMX Value
1	RED 0~100%	000 - 255
2	GREEN 0~100%	000 - 255
3	BLUE 0~100%	000 - 255
4	WHITE 0~100%	000 - 255

MODE 6 Ch	FUNCTION	DMX Value
1	MASTER DIMMER 0~100%	000 - 255
2	RED 0~100%	000 - 255
3	GREEN 0~100%	000 - 255
4	BLUE 0~100%	000 - 255
5	WHITE 0~100%	000 - 255
6	STROBE No Function Strobe slow to fast	000 - 010 011 - 255

MODE HSV	FUNCTION	DMX Value
1	HUE 0~100%	000 - 255
2	SATURATION 0~100%	000 - 255
3	BRIGHTNESS VALUE 0~100%	000 - 255

MODE HSI	FUNCTION	DMX Value
1	HUE 0~100%	000 - 255
2	SATURATION 0~100%	000 - 255
3	INTENSITY 0~100%	000 - 255

- 4 - MANUTENZIONE

4.1 MANUTENZIONE E PULIZIA DEL SISTEMA OTTICO

- Durante gli interventi, assicurarsi che l'area sotto il luogo di installazione sia libera da personale non qualificato.
- Spegnerne l'unità, scollegare il cavo di alimentazione ed aspettare finché l'unità non si sia raffreddata.
- Tutte le viti utilizzate per l'installazione dell'unità e le sue parti devono essere assicurate saldamente e non devono essere corrose.
- Alloggiamenti, elementi di fissaggio e di installazione (soffitto, truss, sospensioni) devono essere totalmente esenti da qualsiasi deformazione.
- I cavi di alimentazione devono essere in condizione impeccabile e devono essere sostituiti immediatamente nel momento in cui anche un piccolo problema viene rilevato.
- Si dovrebbe procedere, ad intervalli regolari, alla pulizia della parte frontale per asportare polvere, fumo e altre particelle. Solo così, la luce può essere irradiata con la luminosità massima. Per la pulizia usare un panno morbido, pulito e un detergente per vetri come si trovano in commercio. Quindi asciugare le parti delicatamente.

Guida all'uso della batteria

Inizializzazione di una nuova batteria

Ogni nuovo faro contenente una batteria al litio, dovrebbe essere inizializzata al primo utilizzo per massimizzarne l'efficienza.

Per fare questo:

1. Caricare completamente l'unità per un minimo di 5-6 ore.
 2. Scaricare completamente, quindi ricaricare completamente la batteria
 3. Ripetere questo ciclo altre 2 volte per ottenere una durata ottimale della batteria.
-

Ottimizza le prestazioni della batteria

1. Le batterie al litio funzionano in modo ottimale quando vengono utilizzate regolarmente. Lunghi periodi con batteria al minimo riducono la durata della batteria.
 2. Ricaricare la batteria appena possibile, lasciare le batterie scariche per lunghi periodi, riduce la durata della batteria.
 3. Conservare le unità contenenti batterie al litio a temperature fredde. Una temperatura ambientale troppo alta riduce notevolmente la durata di una batteria al litio.
 4. Scollegare l'alimentazione dall'unità quando la ricarica è completa.
 5. Non utilizzare durante il caricamento.
-

Se non lo usi per molto tempo

1. Carica la batteria circa al 50%. Un dispositivo con la batteria completamente scarica, potrebbe esaurirsi al punto da rendere impossibile una nuova ricarica. Se invece il dispositivo resta inattivo per un lungo periodo con la carica al 100%, la capacità della batteria potrebbe deteriorarsi e la sua autonomia potrebbe risentirne.
2. Spegni il dispositivo, in modo da impedire che la batteria continui a essere utilizzata.
3. Riponi il dispositivo in un luogo fresco e asciutto, a una temperatura inferiore ai 32 °C.

